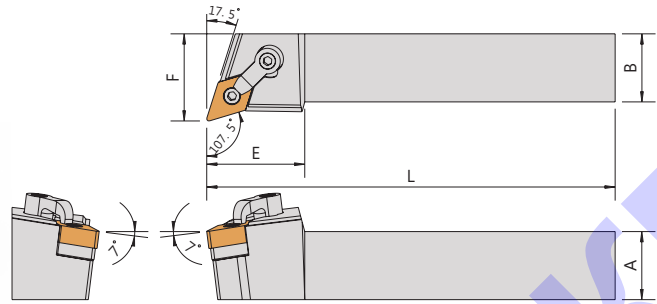
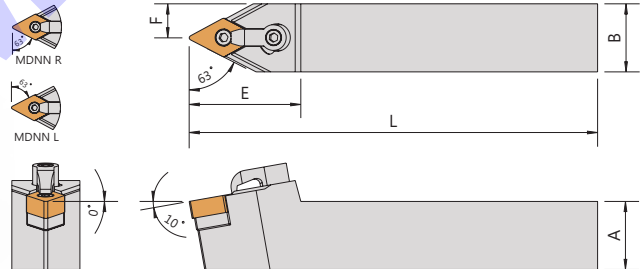
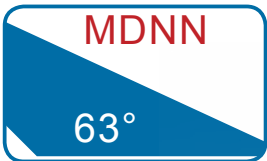




External Turning Tools 外徑車刀



Order No.	Insert	Dimensions					Parts				Wrench
Right / Left		A	B	L	E	F					
MDQNR/L-2020K1504	DNMG1504	20	20	125	36	25	SMD-463	LCS-619	CP50-24	CS7-6030	LW030
MDQNR/L-2525M1504	DNMG1504	25	25	150	36	32	SMD-463	LCS-619	CP50-24	CS7-6030	LW030
MDQNR/L-3225P1504	DNMG1504	32	25	170	40	32	SMD-463	LCS-619	CP50-24	CS7-6030	LW030
MDQNR/L-3232P1504	DNMG1504	32	32	170	40	40	SMD-463	LCS-619	CP50-24	CS7-6030	LW030
MDQNR/L-2020K1506	DNMG1506	20	20	125	36	25	SMD-443	LCS-619	CP50-24	CS7-6030	LW030
MDQNR/L-2525M1506	DNMG1506	25	25	150	36	32	SMD-443	LCS-619	CP50-24	CS7-6030	LW030
MDQNR/L-3225P1506	DNMG1506	32	25	170	40	32	SMD-443	LCS-619	CP50-24	CS7-6030	LW030
MDQNR/L-3232P1506	DNMG1506	32	32	170	40	40	SMD-443	LCS-619	CP50-24	CS7-8030	LW030



Order No.	Insert	Dimensions					Parts				Wrench
Right / Left		A	B	L	E	F					
MDNNR/L-2020K1504	DNMG1504	20	20	125	41	10	SMD-463	LCS-619	CP50-24	CS7-6030	LW030
MDNNR/L-2525M1504	DNMG1504	25	25	150	41	12.5	SMD-463	LCS-619	CP50-24	CS7-6030	LW030
MDNNR/L-3225P1504	DNMG1504	32	25	170	42	12.5	SMD-463	LCS-619	CP50-24	CS7-6030	LW030
MDNNR/L-3232P1504	DNMG1504	32	32	170	43	16	SMD-463	LCS-619	CP50-24	CS7-6030	LW030
MDNNR/L-2020K1506	DNMG1506	20	20	125	41	10	SMD-443	LCS-619	CP50-24	CS7-6030	LW030
MDNNR/L-2525M1506	DNMG1506	25	25	150	41	12.5	SMD-443	LCS-619	CP50-24	CS7-6030	LW030
MDNNR/L-3225P1506	DNMG1506	32	25	170	42	12.5	SMD-443	LCS-619	CP50-24	CS7-6030	LW030
MDNNR/L-3232P1506	DNMG1506	32	32	170	42	16	SMD-443	LCS-619	CP50-24	CS7-6030	LW030