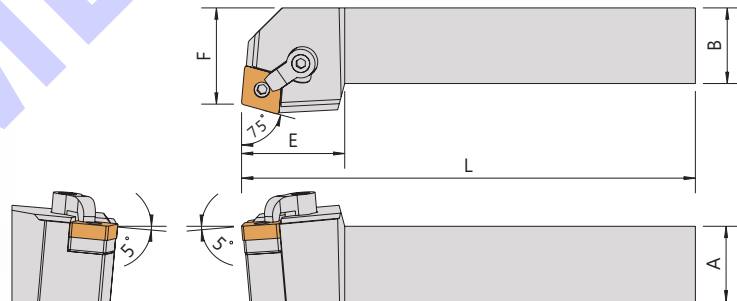
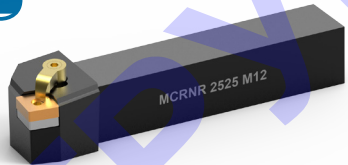
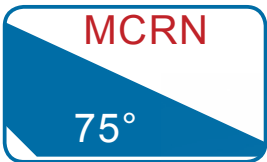


Order No.	Insert	Dimensions					Parts				Wrench
		A	B	L	E	F					
MCKNR/L-2020K12	CNMG1204	20	20	125	37	25					LW030
MCKNR/L-2525M12	CNMG1204	25	25	150	34	32					LW030
MCKNR/L-3225P12	CNMG1204	32	25	170	34	32					LW030
MCKNR/L-3232P12	CNMG1204	32	32	170	40	40					LW030



Order No.	Insert	Dimensions					Parts				Wrench
		A	B	L	E	F					
MCRNR/L-2020K12	CNMG1204	20	20	125	37	25					LW030
MCRNR/L-2525M12	CNMG1204	25	25	150	34	32					LW030
MCRNR/L-3225P12	CNMG1204	32	25	170	34	32					LW030
MCRNR/L-3232P12	CNMG1204	32	32	170	40	40					LW030