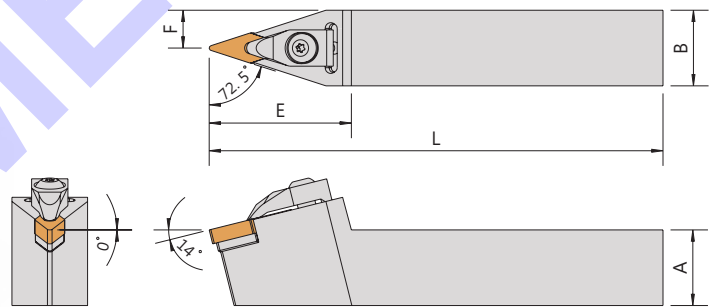
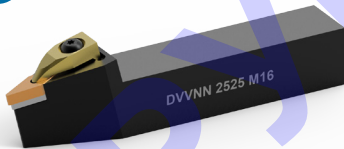


Order No.	Insert	Dimensions					Parts					Wrench
		A	B	L	E	F	Insert	Holder	Clamp	Spring	Locking Pin	
DVPNR/L2020K16	VNMG1604	20	20	125	40	25						TL20
DVPNR/L2525M16		25	25	150	40	32						TL20



Order No.	Insert	Dimensions					Parts					Wrench
		A	B	L	E	F	Insert	Holder	Clamp	Spring	Locking Pin	
DVVNN2020K16	VNMG1604	20	20	125	47	10						TL20
DVVNN2525M16		25	25	150	47	12.5						TL20