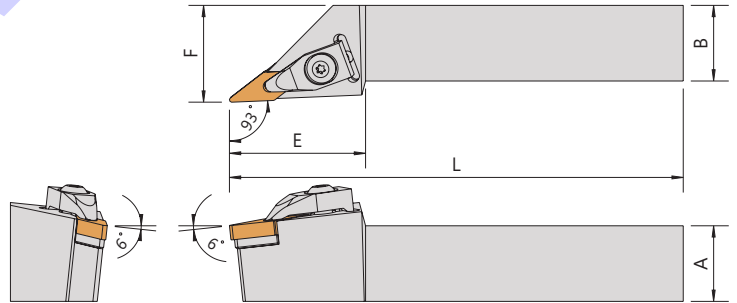
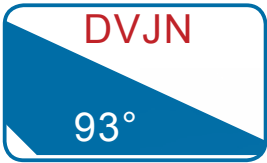


Order No..	Insert	Dimensions					Parts					Wrench
		A	B	L	E	F	Insert	Holder	Clamp	Spring	Locking Pin	
DWLN/L1616H06	WNMG0604	16	16	100	30	20	SMW-321	CS40075	CP-D2	SP0612	CSB0415T	TL15
DWLN/L2020K06		20	20	125	34	25	SMW-321	CS40075	CP-D2	SP0612	CSB0415T	TL15
DWLN/L2525M06		25	25	150	34	32	SMW-321	CS40075	CP-D2	SP0612	CSB0415T	TL15
DWLN/L2020K08	WNMG0804	20	20	125	34	25	SMW-432	CSF4010	CP-D4	SP0816	CSB0620T	TL20
DWLN/L2525M08		25	25	150	34	32	SMW-432	CSF4010	CP-D4	SP0816	CSB0620T	TL20
DWLN/L3232P08		32	32	170	34	32	SMW-432	CSF4010	CP-D4	SP0816	CSB0620T	TL20



Order No.	Insert	Dimensions					Parts					Wrench
		A	B	L	E	F	Insert	Holder	Clamp	Spring	Locking Pin	
DVJNR/L2020K16	VNMG1604	20	20	125	42	25	SMV-322	CS40075	CP-D3	SP0816	CSB0620T	TL20
DVJNR/L2525M16		25	25	150	45	32	SMV-322	CS40075	CP-D3	SP0816	CSB0620T	TL20