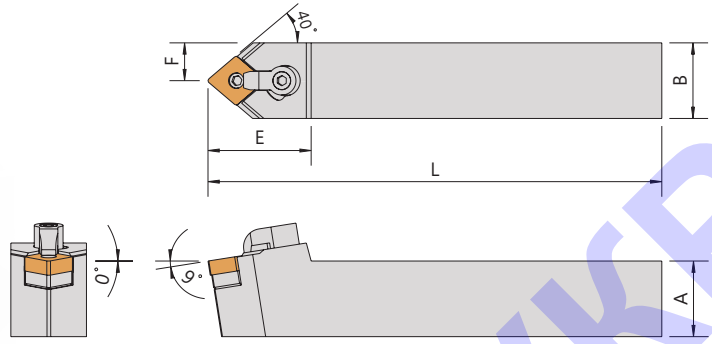
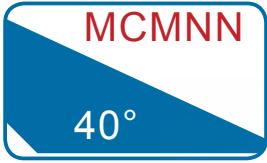
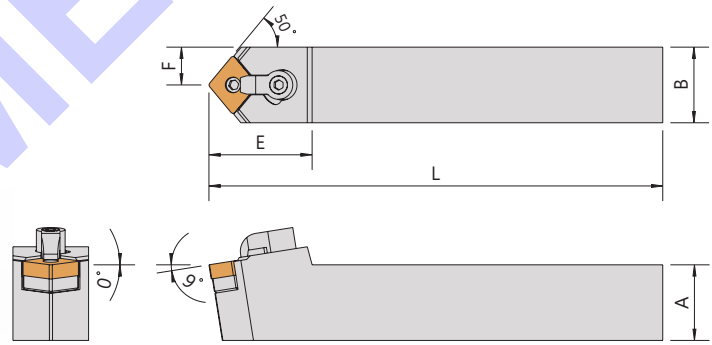
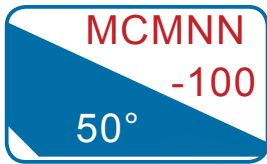




External Turning Tools 外徑車刀



Order No.	Insert	Dimensions					Parts				Wrench
		Right / Left	A	B	L	E	F	Insert	Holder	Locking Bolt	
MCMNN-2020K12	CNMG1204	20	20	125	37	10	SMC-432	LCS-617	CP50-22	CS7-6030	LW030
MCMNN-2525M12	CNMG1204	25	25	150	37	12.5	SMC-432	LCS-617	CP50-22	CS7-6030	LW030
MCMNN-3225P12	CNMG1204	32	25	170	37	12.5	SMC-432	LCS-617	CP50-22	CS7-6030	LW030
MCMNN-3232P12	CNMG1204	32	32	170	40	16	SMC-432	LCS-617	CP50-22	CS7-6030	LW030



Order No.	Insert	Dimensions					Parts				Wrench
		Right / Left	A	B	L	E	F	Insert	Holder	Locking Bolt	
MCMNN-2020K12-100	CNMG1204	20	20	125	37	10	SMC-432	LCS-617	CP50-22	CS7-6030	LW030
MCMNN-2525M12-100	CNMG1204	25	25	150	37	12.5	SMC-432	LCS-617	CP50-22	CS7-6030	LW030
MCMNN-3225P12-100	CNMG1204	32	25	170	37	12.5	SMC-432	LCS-617	CP50-22	CS7-6030	LW030
MCMNN-3232P12-100	CNMG1204	32	32	170	40	16	SMC-432	LCS-617	CP50-22	CS7-6030	LW030