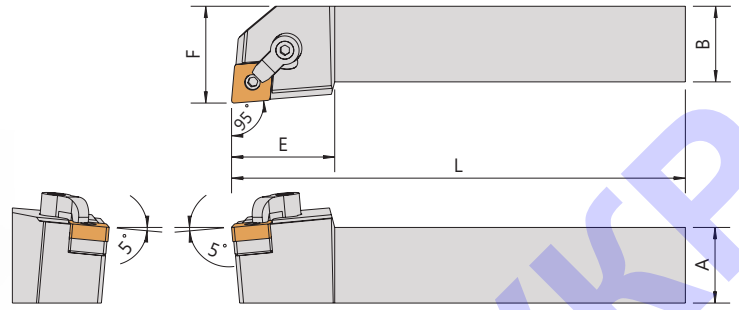
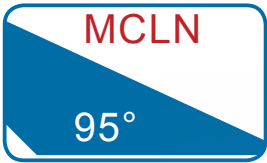




External Turning Tools 外徑車刀



Order No.	Insert	Dimensions					Parts				Wrench
Right / Left		A	B	L	E	F					
MCLNR/L-1616H12	CNMG1204	16	16	100	30	20	SMC-432	LCS-617	CP50-22	CS7-6024	LW030
MCLNR/L-2020K12	CNMG1204	20	20	125	34	25	SMC-432	LCS-617	CP50-22	CS7-6030	LW030
MCLNR/L-2525M12	CNMG1204	25	25	150	34	32	SMC-432	LCS-617	CP50-22	CS7-6030	LW030
MCLNR/L-3225P12	CNMG1204	32	25	170	34	32	SMC-432	LCS-617	CP50-22	CS7-6030	LW030
MCLNR/L-3232P12	CNMG1204	32	32	170	34	40	SMC-432	LCS-617	CP50-22	CS7-6030	LW030
MCLNR/L-2525M16	CNMG1606	25	25	150	34	32	SMC-533	LCS-0822	CP50-22	CS7-6030	LW030
MCLNR/L-3225P16	CNMG1606	32	25	170	34	32	SMC-533	LCS-0822	CP50-22	CS7-6030	LW030
MCLNR/L-3232P16	CNMG1606	32	32	170	34	40	SMC-533	LCS-0822	CP50-22	CS7-6030	LW030
MCLNR/L-4040S16	CNMG1606	40	40	250	34	50	SMC-533	LCS-0822	CP50-22	CS7-6030	LW030
MCLNR/L-2525M19	CNMG1906	25	25	150	40	32	SMC-633	LC S-1022	CP50-29	CS7-8030	LW040
MCLNR/L-3225P19	CNMG1906	32	25	170	43	32	SMC-633	LCS-1022	CP50-29	CS7-8030	LW040
MCLNR/L-3232P19	CNMG1906	32	32	170	43	40	SMC-633	LCS-1022	CP50-29	CS7-8030	LW040
MCLNR/L-4040S19	CNMG1906	40	40	250	40	50	SMC-633	LCS-1022	CP50-29	CS7-8030	LW040