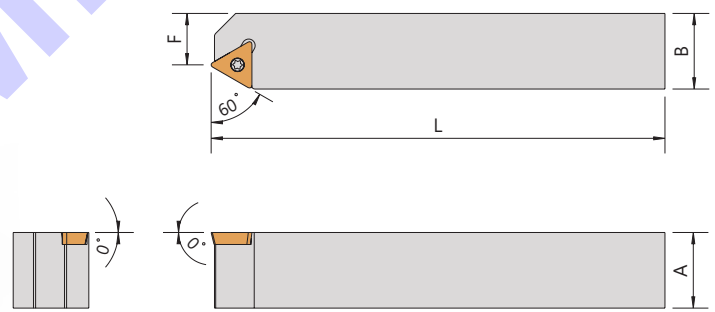
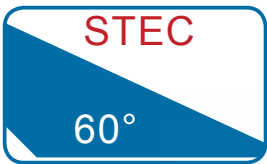


Order No.	Insert	Dimensions				Parts	Wrench
		A	B	L	F		
Right / Left							
STACR/L-0808H09	TCMT0902	8	8	100	8.5	CS22050	FT-7
STACR/L-1010H09	TCMT0902	10	10	100	10.5	CS22050	FT-7
STACR/L-1212H11	TCMT1102	12	12	100	12.5	CS25060	FT-7
STACR/L-1616H11	TCMT1102	16	16	100	16.5	CS25060	FT-7



Order No.	Insert	Dimensions				Parts	Wrench
		A	B	L	F		
Right / Left							
STECR/L-2020K11	TCMT1102	20	20	125	14.5	CS25060	FT-7
STECR/L-2525M11	TCMT1102	25	25	150	19.5	CS25060	FT-7
STECR/L-2020K16	TCMT16T3	20	20	125	12	CS40090	FT-15
STECR/L-2525M16	TCMT16T3	25	25	150	17	CS40090	FT-15