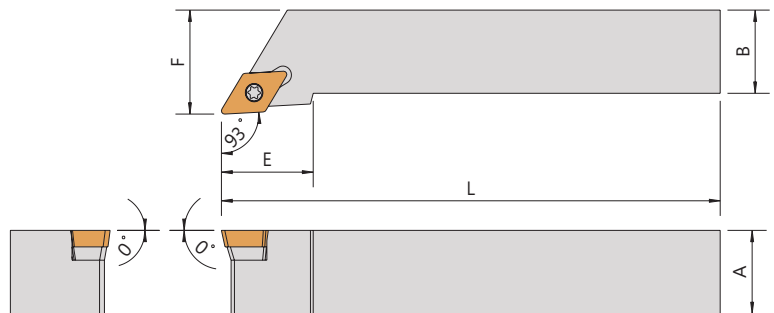
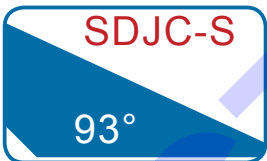


Order No.	Insert	Dimensions				Parts	Wrench
		A	B	L	F		
Right / Left							
SDJCR/L-0808H07N	DCMT0702	8	8	100	8	CS25060	FT-7
SDJCR/L-1010H07N	DCMT0702	10	10	100	10	CS25060	FT-7
SDJCR/L-1212H07N	DCMT0702	12	12	100	12	CS25060	FT-7
SDJCR/L-0808K07N	DCMT0702	8	8	125	8	CS25060	FT-7
SDJCR/L-1010K07N	DCMT0702	10	10	125	10	CS25060	FT-7
SDJCR/L-1212K07N	DCMT0702	12	12	125	12	CS25060	FT-7
SDJCR/L-1212H11N	DCMT11T3	12	12	100	12	CS35095	FT-15
SDJCR/L-1616H11N	DCMT11T3	16	16	100	16	CS35095	FT-15
SDJCR/L-1212K11N	DCMT11T3	12	12	125	12	CS35095	FT-15
SDJCR/L-1616K11N	DCMT11T3	16	16	125	16	CS35095	FT-15



Order No.	Insert	Dimensions					Parts			Wrench	
		A	B	L	E	F					
Right / Left											
SDJCR/L-2020K11S	DCMT11T3	20	20	125	22	25	SMD-343	SN535	CS35115	FT-15	LW035
SDJCR/L-2525M11S		25	25	150	25	32					