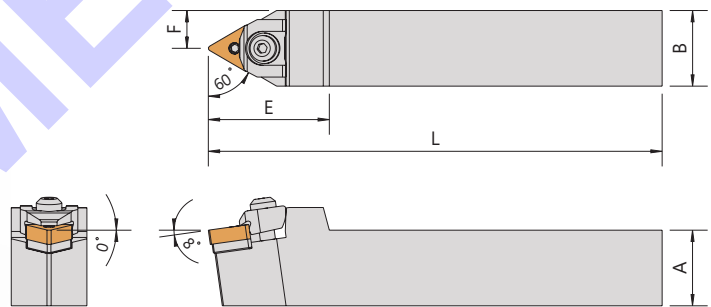
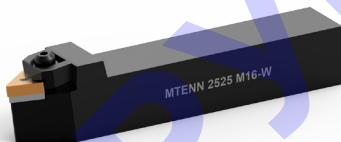
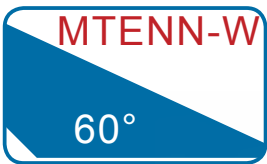


Order No.	Insert	Dimensions				Parts					Wrench	
		Right / Left		A	B	L	F					
WWLNR/L-2020K08	WNMG0804	20	20	125	25	SMW-433	LCS-520N	MMW-40	CSE6030	ER-5	LW025	LW040
WWLNR/L-2525M08	WNMG0804	25	25	150	32	SMW-433	LCS-520N	MMW-40	CSE6030	ER-5	LW025	LW040
WWLNR/L-3225P08	WNMG0804	32	25	170	32	SMW-433	LCS-520N	MMW-40	CSE6030	ER-5	LW025	LW040
WWLNR/L-3232P08	WNMG0804	32	32	170	40	SMW-433	LCS-520N	MMW-40	CSE6030	ER-5	LW025	LW040



Order No.	Insert	Dimensions						Parts					Wrench	
		Right / Left		A	B	L	E	F						
MTENN-2020K16-W	TNMG1604	20	20	125	32	10	SMT-322	LCS-420N	MTW-30	CSE5026	ER04	WS06	LW025	LW030
MTENN-2525M16-W	TNMG1604	25	25	150	32	12.5	SMT-322	LCS-420N	MTW-30	CSE5026	ER04	WS06	LW025	LW030
MTENN-3225P16-W	TNMG1604	32	25	170	32	12.5	SMT-322	LCS-420N	MTW-30	CSE5026	ER04	WS06	LW025	LW030
MTENN-3232P16-W	TNMG1604	32	32	170	32	10	SMT-322	LCS-420N	MTW-30	CSE5026	ER04	WS06	LW025	LW030
MTENN-3225P22-W	TNMG1604	32	25	170	32	12.5	SMT-431	LCS-520N	MTW-34	CSE6027	ER05	WS07	LW025	LW040