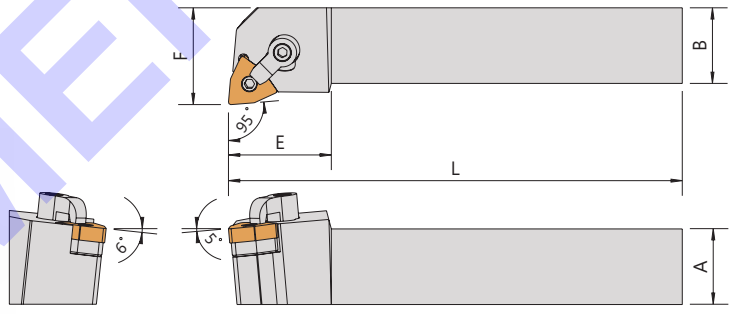
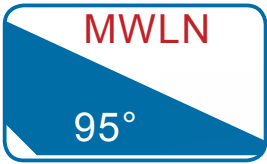


Order No.	Insert	Dimensions					Parts	Wrench				
		A	B	L	E	F						
Right / Left												
MTFNR/L-1616H16	TNMG1604	16	16	100	30	20	SMT-322	LCS-513	CP50-22	CS7-6024	LW020	LW030
MTFNR/L-2020K16	TNMG1604	20	20	125	34	25	SMT-322	LCS-513	CP50-22	CS7-6030	LW020	LW030
MTFNR/L-2525M16	TNMG1604	25	25	150	34	32	SMT-322	LCS-513	CP50-22	CS7-6030	LW020	LW030



Order No.	Insert	Dimensions					Parts	Wrench				
		A	B	L	E	F						
Right / Left												
MWLNR/L-2020K06	WNMG0604	20	20	125	34	25	SMW-321	LCS-513	CP50-30	CS7-5018	LW020	LW025
MWLNR/L-2525M06	WNMG0604	25	25	150	34	32	SMW-321	LCS-513	CP50-30	CS7-5018	LW020	LW025
MWLNR/L-2020K08	WNMG0804	20	20	125	34	25	SMW-432	LCS-617	CP50-22	CS7-6030	___	LW030
MWLNR/L-2525M08	WNMG0804	25	25	150	34	32	SMW-432	LCS-617	CP50-22	CS7-6030	___	LW030
MWLNR/L-3225P08	WNMG0804	32	25	170	40	32	SMW-432	LCS-617	CP50-22	CS7-6030	___	LW030
MWLNR/L-3232P08	WNMG0804	32	32	170	40	40	SMW-432	LCS-617	CP50-22	CS7-6030	___	LW030