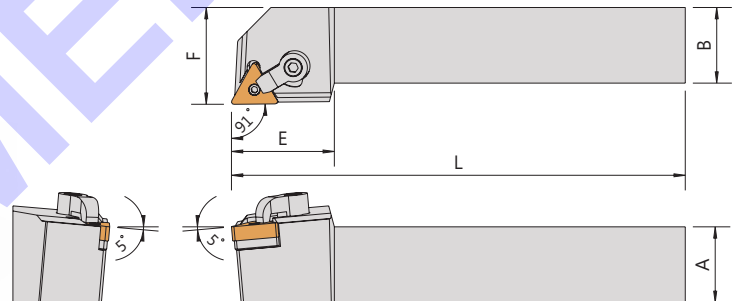
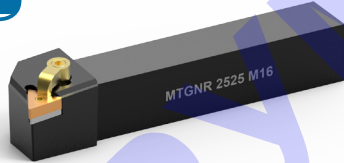
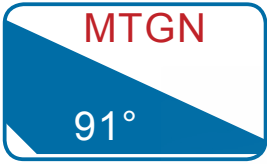


Order No.	Insert	Dimensions					Parts				Wrench
Right / Left		A	B	L	E	F					
MTXNR/L-2020K16	TNMG1604	20	20	125	34	25	SMT-322	LCS-513	CP50-22	CS7-6030	LW020
MTXNR/L-2525M16	TNMG1604	25	25	150	34	32	SMT-322	LCS-513	CP50-22	CS7-6030	LW032



Order No.	Insert	Dimensions					Parts				Wrench	
Right / Left		A	B	L	E	F						
MTGNR/L-1616H16	TNMG1604	16	16	100	30	20	SMT-322	LCS-513	CP50-22	CS7-6024	LW020	LW030
MTGNR/L-2020K16	TNMG1604	20	20	125	34	25	SMT-322	LCS-513	CP50-22	CS7-6030	LW020	LW030
MTGNR/L-2525M16	TNMG1604	25	25	150	34	32	SMT-322	LCS-513	CP50-22	CS7-6030	LW020	LW030
MTGNR/L-3232P16	TNMG1604	32	32	170	34	40	SMT-322	LCS-513	CP50-22	CS7-6030	LW020	LW030