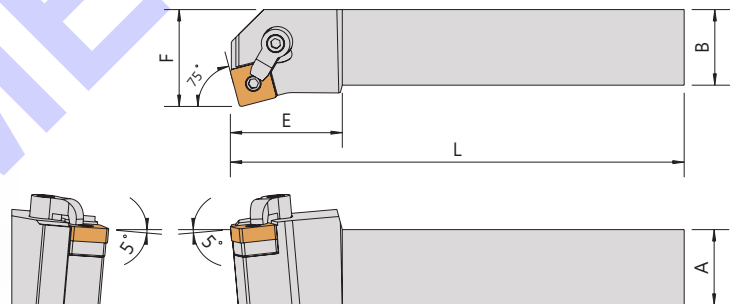
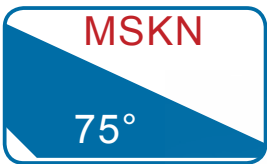


Order No.	Insert	Dimensions					Parts				Wrench	
		Right / Left	A	B	L	E	F					
MSDNN-2020K12	SNMG1204		20	20	125	35	10	SMS-432	LCS-617	CP50-22	CS7-6030	LW030
MSDNN-2525M12	SNMG1204		25	25	150	37	12.5	SMS-432	LCS-617	CP50-22	CS7-6030	LW030
MSDNN-3225P12	SNMG1204		32	25	170	42	12.5	SMS-432	LCS-617	CP50-22	CS7-6030	LW030
MSDNN-3232P12	SNMG1204		32	32	170	43	16	SMS-432	LCS-617	CP50-22	CS7-6030	LW030



Order No.	Insert	Dimensions					Parts				Wrench	
		Right / Left	A	B	L	E	F					
MSKNR/L-2020K12	SNMG1204		20	20	125	37	25	SMS-432	LCS-617	CP50-22	CS7-6030	LW030
MSKNR/L-2525M12	SNMG1204		25	25	150	37	32	SMS-432	LCS-617	CP50-22	CS7-6030	LW030
MSKNR/L-3225P12	SNMG1204		32	25	170	42	32	SMS-432	LCS-617	CP50-22	CS7-6030	LW030
MSKNR/L-3232P12	SNMG1204		32	32	170	42	40	SMS-432	LCS-617	CP50-22	CS7-6030	LW030
MSKNR/L-2525M15	SNMG1506		25	25	150	37	32	SMS-432	LCS-0822	CP50-22	CS7-6030	LW030
MSKNR/L-3225P15	SNMG1506		32	25	170	42	32	SMS-533	LCS-0822	CP50-22	CS7-6030	LW030
MSKNR/L-3232P15	SNMG1506		32	32	170	42	40	SMS-533	LCS-0822	CP50-22	CS7-6030	LW030
MSKNR/L-4040R19	SNMG1906		40	40	200	42	50	SMS-633	LCS-1022	CP50-29	CS7-8030	LW040