

Driven & Static Tool Holder

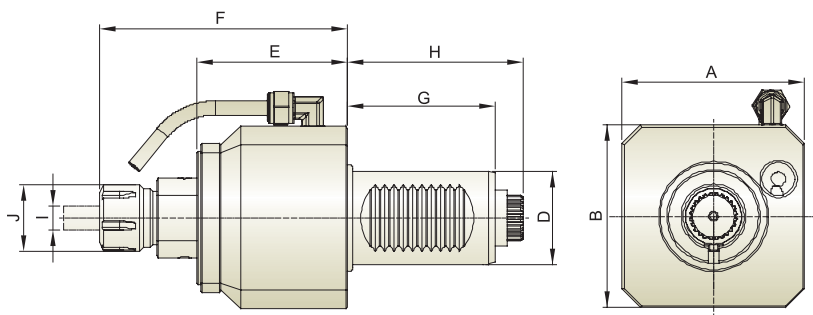


Axial ER Tapping Tool Holder (External Coolant)

DIN 5480

- Tool Holder is produced in accordance with DIN 69880.
- ER Collet is according to DIN6499.
- Driven Coupling is according to DIN 5480.
- For left hand and right hand turret.

R.P.M. : Max. 3,000 RPM



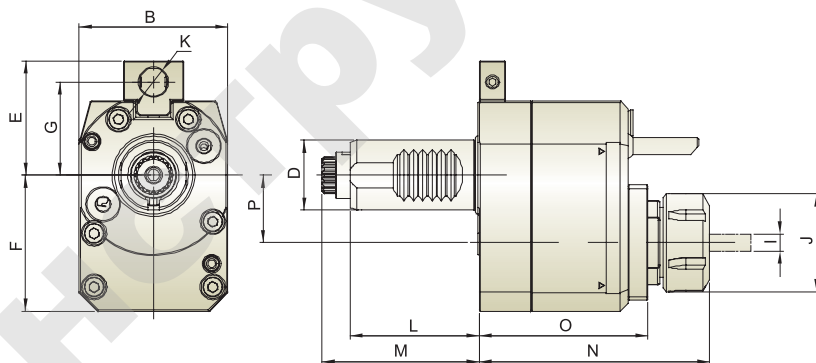
Unit : mm

Model No.	A	B	D	E	F	G	H	I	J	N.W.(KG)
THB-A15-40B	78	78	40	63	106	63	75	M3~M12	28	3

Axial Offset Tool Holder (External Coolant)

Gear Ratio : 1 : 1

R.P.M. : Max. 5,000 RPM



Unit : mm

Model No.	B	D	E	F	G	I	J	K	L	M	N	O	P	N.W.(KG)
THB-C04.29-30B	64	30	49/57/59	58.5	40/48/50	ER25 (2~16)	42	13	55	67	99.5	73	29	3.0
THB-C05.50-40B	80	40	75/82	85	63/70	ER32 (3~20)	50	16	63	75	110	77.5	50	6.0