

Driven & Static Tool Holder

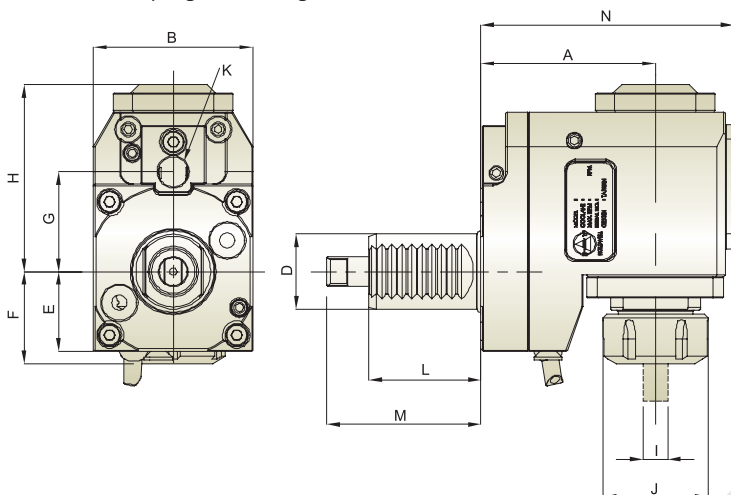


Radial Offset Tool Holder (External Coolant)

DIN 1809

- Tool Holder is produced in accordance with DIN 69880.
- Driven Coupling is according to DIN 1809.
- ER Collet is according to DIN 6499.
- For left hand and right hand turret.

- ⚙ Gear Ratio : 1 : 1
- ⚙ R.P.M. : Max. 4,000 RPM



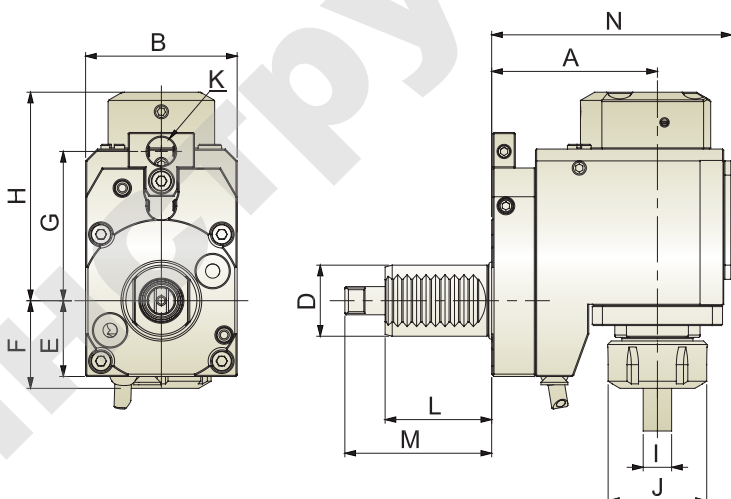
Unit : mm

Model No.	A	B	D	E	F	G	H	I	J	K	L	M	N	N.W.(KG)
THB-D04.70-30A	70	64	30	32	37	40/63	75	ER25 (2~16)	42	12	45	62	101.5	4.0
THB-D05.90-40A	90	80	40	38	31.5	63/70	102	ER32 (3~20)	50	16	51	72	125.5	7.2
THB-D07.102-60A	102	104	60	54	75	89	116	ER50 (12~34)	78	16	78	110	154	14

※ Further option : 6000 RPM

Radial Offset Tool Holder (Internal Coolant)

- ⚙ Gear Ratio : 1 : 1
- ⚙ R.P.M. : Max. 4,000 RPM
- ⚙ Internal Coolant : 70 bar



Unit : mm

Model No.	A	B	D	E	F	G	H	I	J	K	L	M	N	N.W.(KG)
THB-D04.70-30AI	70	64	30	32	37	40/63	97	ER2542 (2~16)	42	12	45	62	101.5	4.0
THB-D05.90-40AI	90	80	40	38	31.5	63/70	124	ER3250 (3~20)	50	16	51	72	125.5	7.2

※ Further option : 6000 RPM