

Driven & Static Tool Holder



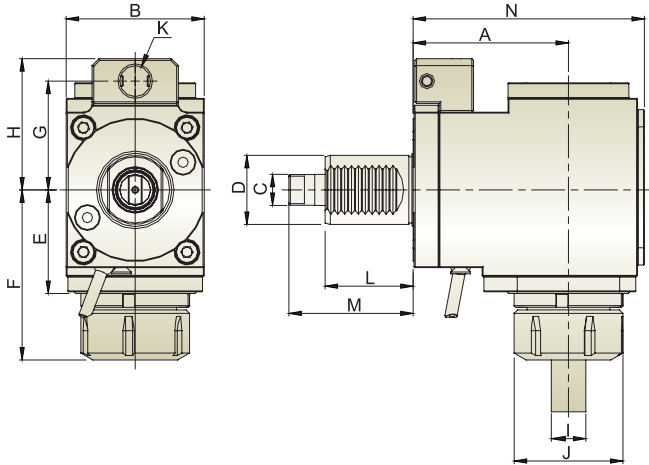
Radial Tool Holder (External Coolant)

DIN 1809

- Tool Holder is produced in accordance with DIN 69880.
- Driven Coupling is according to DIN 1809.
- ER Collet is according to DIN 6499.
- For left hand and right hand turret.

Gear Ratio : 1 : 1

R.P.M. : Max. 4,000 RPM



Unit : mm

Model No.	A	B	C	D	E	F	G	H	I	J	K	L	M	N	N.W.(KG)
THB-B04.55-30A	55	64	12	30	39.5	66	40/63	50/73	ER25 (2~16)	42	12	45	62	86.5	3.0
THB-B05.65-30A	65	64	12	30	47	75	40/63	50/73	ER32 (3~20)	50	12	45	62	101	3.7
THB-B05.65-40A	65	76	18	40	49	81.5	63/70	75/82	ER32 (3~20)	50	16	51	72	101	5.1
THB-B06.90-40A	90	80	18	40	60	98.5	63/70	73/80	ER40 (4~26)	63	16	51	72	134	8.1
THB-B06.145-40A	145	80	18	40	60	98.5	63/70	73/80	ER40 (4~26)	63	16	51	72	189	10.9
THB-B06.92-50A	92	86	25	50	60	100	70/88	83/101	ER40 (4~26)	63	18	68	92	136	9

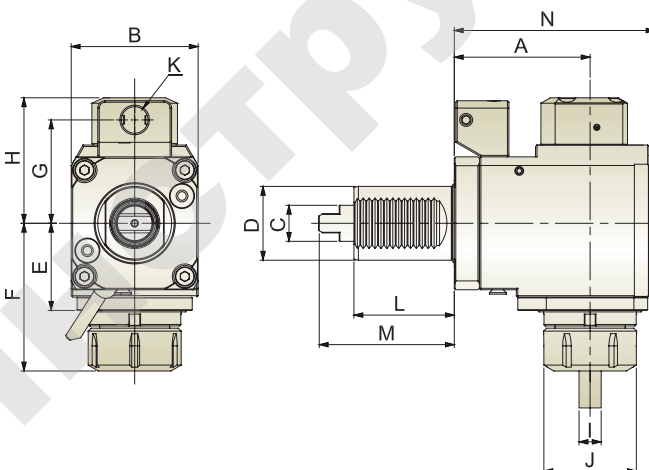
※ Further option : 6000 RPM

Radial Tool Holder (Internal Coolant)

Gear Ratio : 1 : 1

R.P.M. : Max. 4,000 RPM

Internal Coolant : 70 bar



Unit : mm

Model No.	A	B	C	D	E	F	G	H	I	J	K	L	M	N	N.W.(KG)
THB-B04.65-30AI	55	64	12	30	39.5	66	40/63	68	ER25 (2~16)	42	12	45	62	86.5	3.2
THB-B05.65-30AI	65	64	12	30	47	75	40/63	72	ER32 (3~20)	50	12	45	62	101	3.9
THB-B05.65-40AI	65	76	18	40	49	81.5	63/70	74	ER32 (3~20)	50	16	51	72	101	5.1

※ Further option : 6000 RPM