

Driven & Static Tool Holder

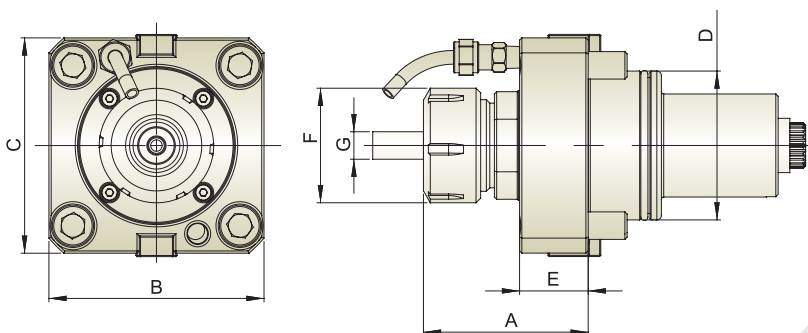


Axial Tool Holder (External Coolant)

BMT-5480

- Driven Coupling is according to DIN 5480.
- ER Collet is according to DIN 6499.

R.P.M. : Max. 6,000 RPM



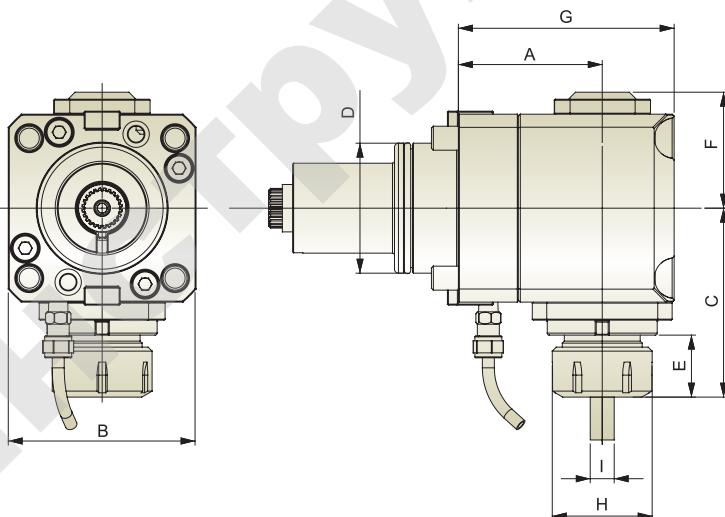
Unit : mm

Model No.	A	B	C	D	E	F	G	N.W.(KG)
THM-A05-65B	63.5	94	94	65	30	50	ER32 (3~20)	4.2

Radial Tool Holder (External Coolant)

Gear Ratio : 1 : 1

R.P.M. : Max. 4,000 RPM



Unit : mm

Model No.	A	B	C	D	E	F	G	H	I	N.W.(KG)
THM-B05.72-65B	72	94	95	65	34	60	108	50	ER32 (3~20)	9.8

※ Further option : 6000 RPM