

5-axis Machining Center

CT-350



Tongtai Tongtai Machine & Tool Co., Ltd.

Headquarters

No.3, Luke 3rd Rd., Luzhu Dist., Kaohsiung City 82151, Taiwan
TEL : 886-7-9761588 FAX : 886-7-9761589
www.tongtai.com.tw

Taoyuan Branch	TEL : +886-3-4551399	FAX : +886-3-4559730
Taichung Branch	TEL : +886-4-23589600	FAX : +886-4-23589993
Japan Branch	TEL : +81-047-712-0835	FAX : +81-047-712-0870
Europe Branch	TEL : +31-161-454639	
Malaysia Branch	TEL : +603-78597113	FAX : +603-78597115
Vietnam Branch	TEL : +84-24-62766090	
Thailand Branch	TEL : +66-2-3164708-10	FAX : +66-2-3164711
Indonesia Office	TEL : +62-21-45850875	FAX : +62-21-45850876

Members of TTGroup

Honor Seiki Co., Ltd. TEL : 886-7-9759888 FAX : 886-7-9759999 www.honorseiki.com	Asia Pacific Elite Corp. TEL : 886-4-23589313 FAX : 886-4-23588913 www.apecnc.com	Quick-Tech Machinery Co., Ltd. TEL : 886-6-3841155 FAX : 886-6-3841177 www.quicktech.com.tw	PCI-SCEMM TEL : 33-4-77426161 FAX : 33-4-77426023 www.pci.fr	ANGER Machining GmbH TEL : 43-7229-71041-0 FAX : 43-7229-71041-199 www.anger-machining.com
--	---	---	--	--

MEMBER OF
TTGROUP



China Operation Center

Shuzhou Tong-yu Machine & Tool Co., Ltd.
No.555 Huahong Rd., Economic Development Zone of Wujiang,
Suzhou City, Jiangsu Province, China
TEL : 86-512-63430168 FAX : 86-512-63431622
E-mail : sales@tong-yu.com.cn
www.tongtai.com.tw/cn

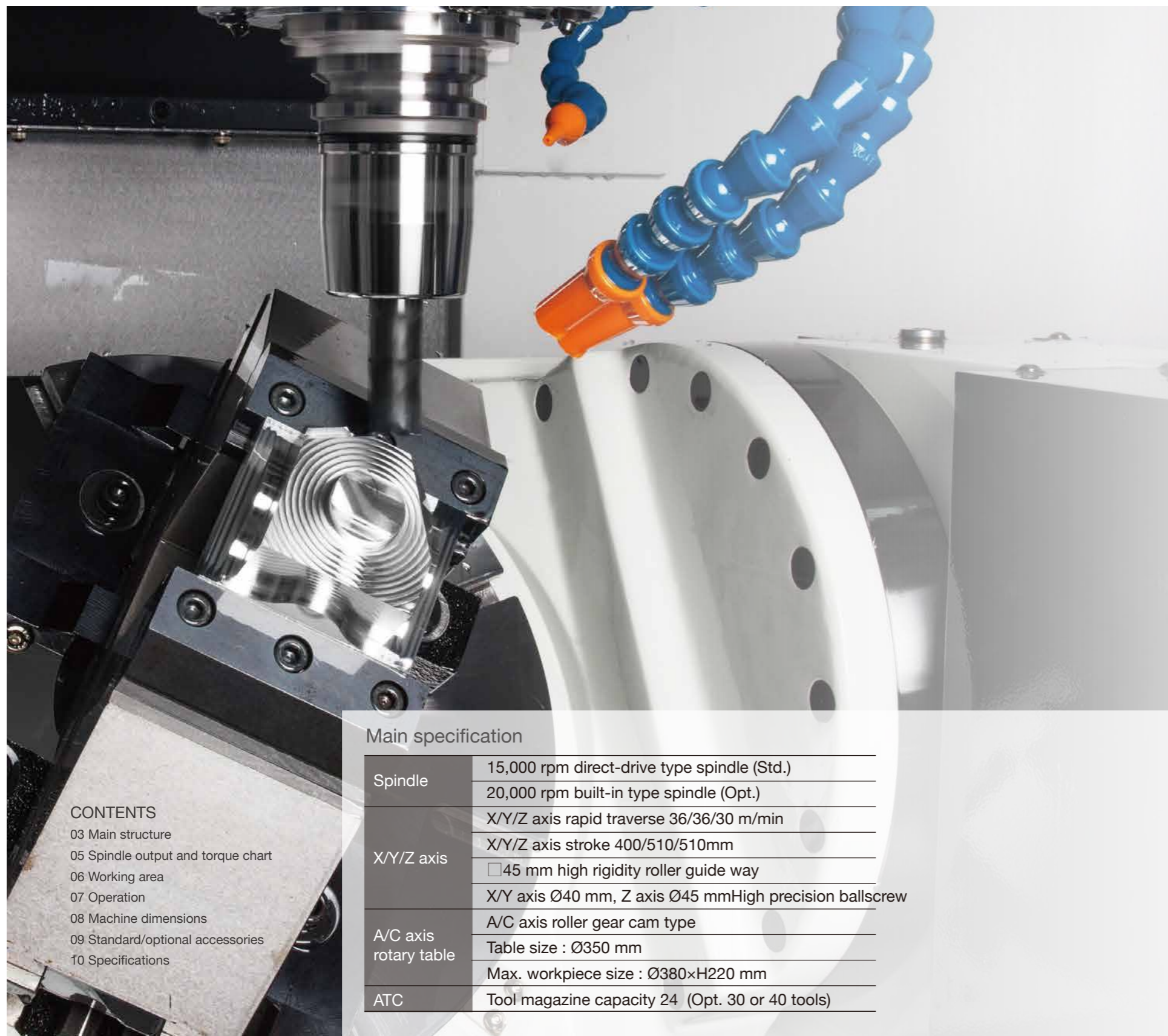
Wuhan Branch	TEL : +86-27-84586587
Chongqing Branch	TEL : +86-23-67865925 FAX : +86-23-67867717
Guandong Branch	TEL : +86-769-81158198 FAX : +86-769-81158108
Tianjin Branch	TEL : +86-22-24417640 FAX : +86-22-24416738
Shanghai Office	TEL : +86-21-24208138 FAX : +86-21-34073262
Shenyang Office	TEL : +86-24-24142968 FAX : +86-24-24115782

CT-350 2016.05.23 © All the specifications in the brochure are subject to change without prior notice.

MEMBER OF
TTGROUP

www.tongtai.com.tw

CT-350



High performance design

Integrated with advanced technologies and R&D experience, the high performance vertical 5-axis machining center, CT-350, is able to process complicated precision parts machining for industries. These include: aerospace, automotive, biomedical, electronics, and mold industries. In addition, the CT-350 is effective for reducing set-up times and improving efficiency.

Roller cam type A/C axis

Standardly equipped with roller gear cam type A/C axis table allows zero-backlash and high rigidity. This dramatically improves the machining precision.

High speed spindle

Standardly equipped with 15,000 rpm direct-drive type oil-air lubrication spindle. Also available with a 20,000 rpm build-in type oil-air lubrication spindle.



Main specification

Spindle	15,000 rpm direct-drive type spindle (Std.)
	20,000 rpm built-in type spindle (Opt.)
X/Y/Z axis	X/Y/Z axis rapid traverse 36/36/30 m/min
	X/Y/Z axis stroke 400/510/510mm
	<input type="checkbox"/> 45 mm high rigidity roller guide way
A/C axis rotary table	X/Y axis Ø40 mm, Z axis Ø45 mm High precision ballscrew
	A/C axis roller gear cam type
	Table size : Ø350 mm
ATC	Max. workpiece size : Ø380×H220 mm
	Tool magazine capacity 24 (Opt. 30 or 40 tools)

CONTENTS

- 03 Main structure
- 05 Spindle output and torque chart
- 06 Working area
- 07 Operation
- 08 Machine dimensions
- 09 Standard/optional accessories
- 10 Specifications

Main structure

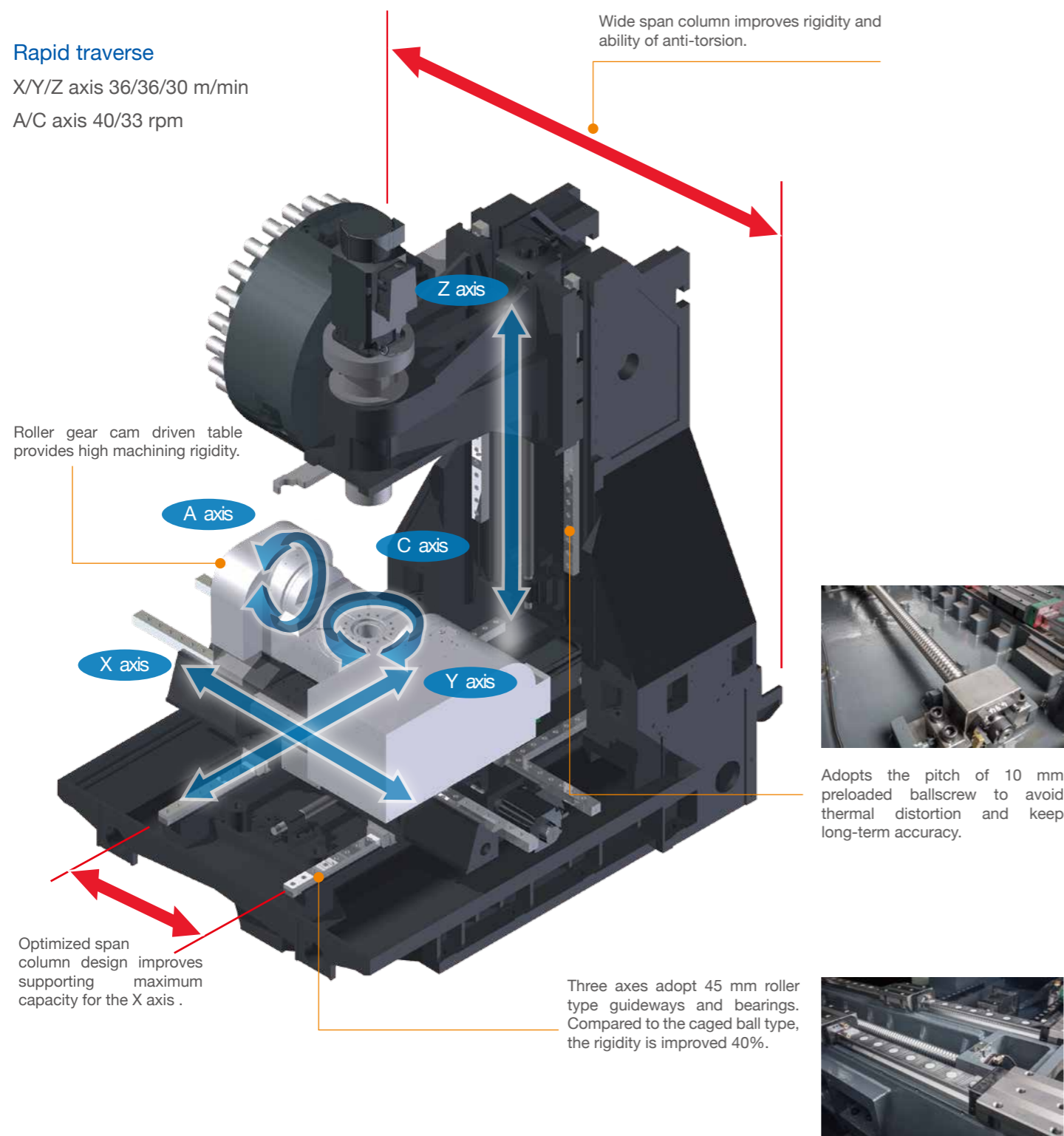
High rigidity structure

Stroke

X/Y/Z axis 400/510/510 mm
A/C axis +30°~-120°/360° mm

Rapid traverse

X/Y/Z axis 36/36/30 m/min
A/C axis 40/33 rpm

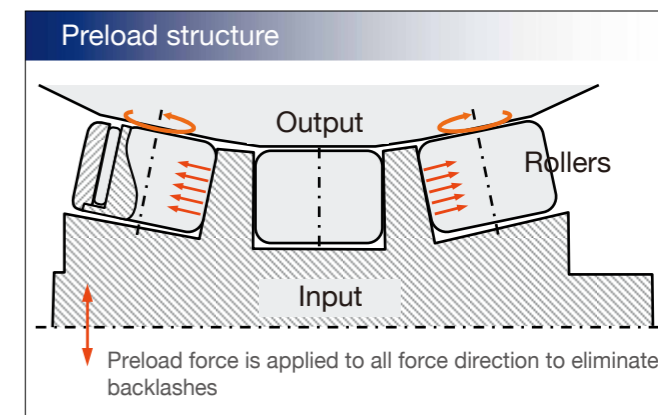


Rotary table

A/C axis : Roller gear cam type

The positioning accuracy, repeatability accuracy, backlash and durability performances of the roller gear cam mechanism are a better design than worm-gear mechanism.

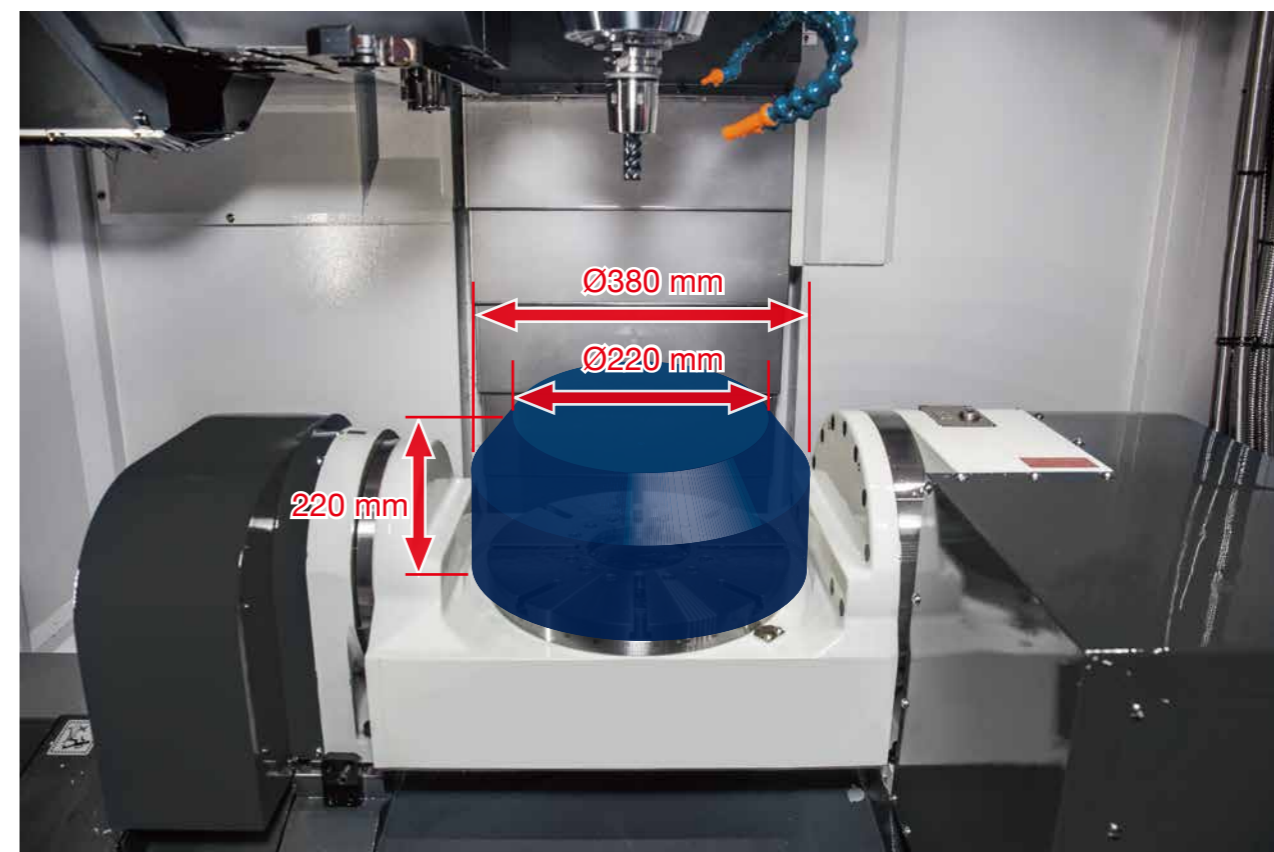
Because A/C axis rotary table is driven by roller gear cam with rolling contact between roller and cam, it can start at a lower torque. High accuracy is guaranteed under long-term heavy duty cutting.



	W/O linear scale	With linear scale
Positioning accuracy	15"	6"
Repetition accuracy	10"	5"

Zero backlash	Low abrasion
High positioning accuracy	Higher durability

Max. workpiece size



Spindle output and torque chart

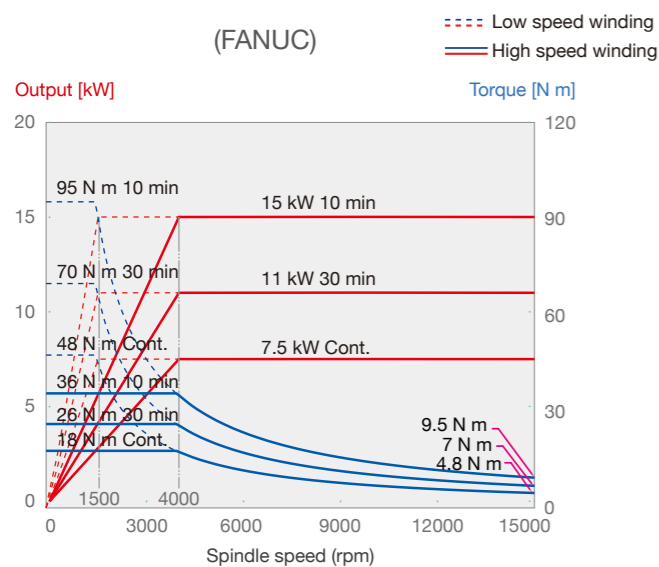
Spindle

- The CT-350 spindle is equipped with oil-air lubricated bearings and oil-cooling cartridge. This constrains the thermal generation and reduces the thermal expansion in the spindle.
- BBT dual-contact tool holder is equipped to enhance the stability and machining quality.

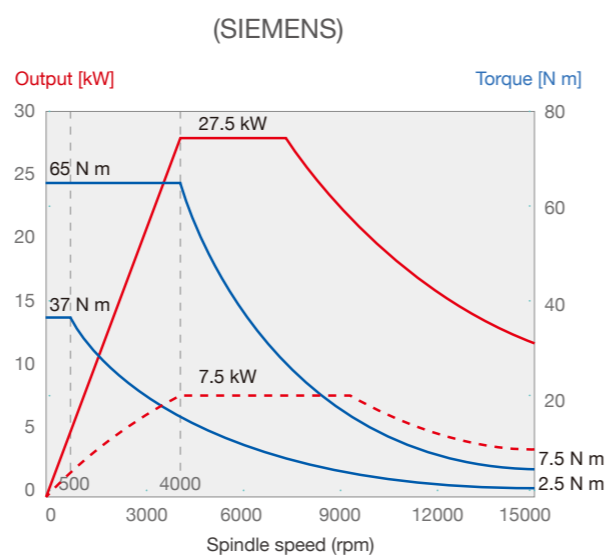


Spindle output and torque chart

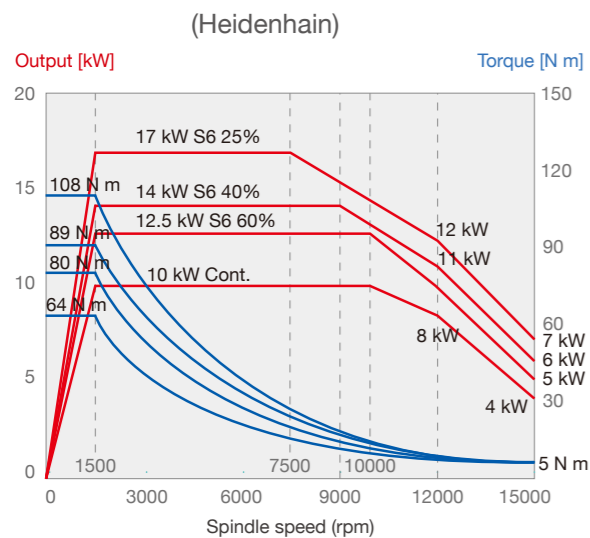
15,000rpm Direct-drive spindle



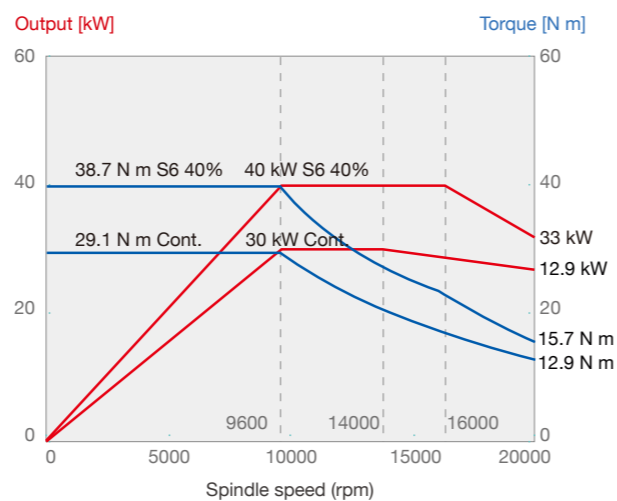
15,000rpm Direct-drive spindle (Opt.)



15,000rpm Direct-drive spindle

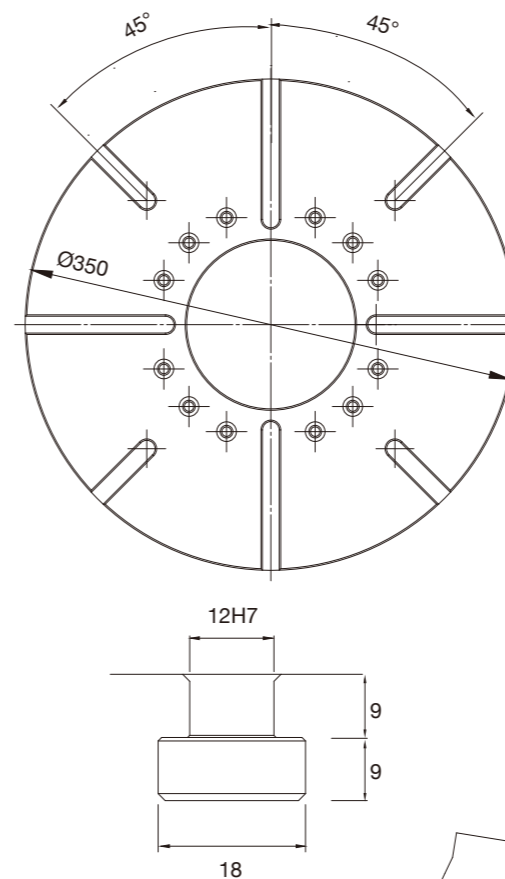


20,000 rpm Built-in spindle (Opt.)

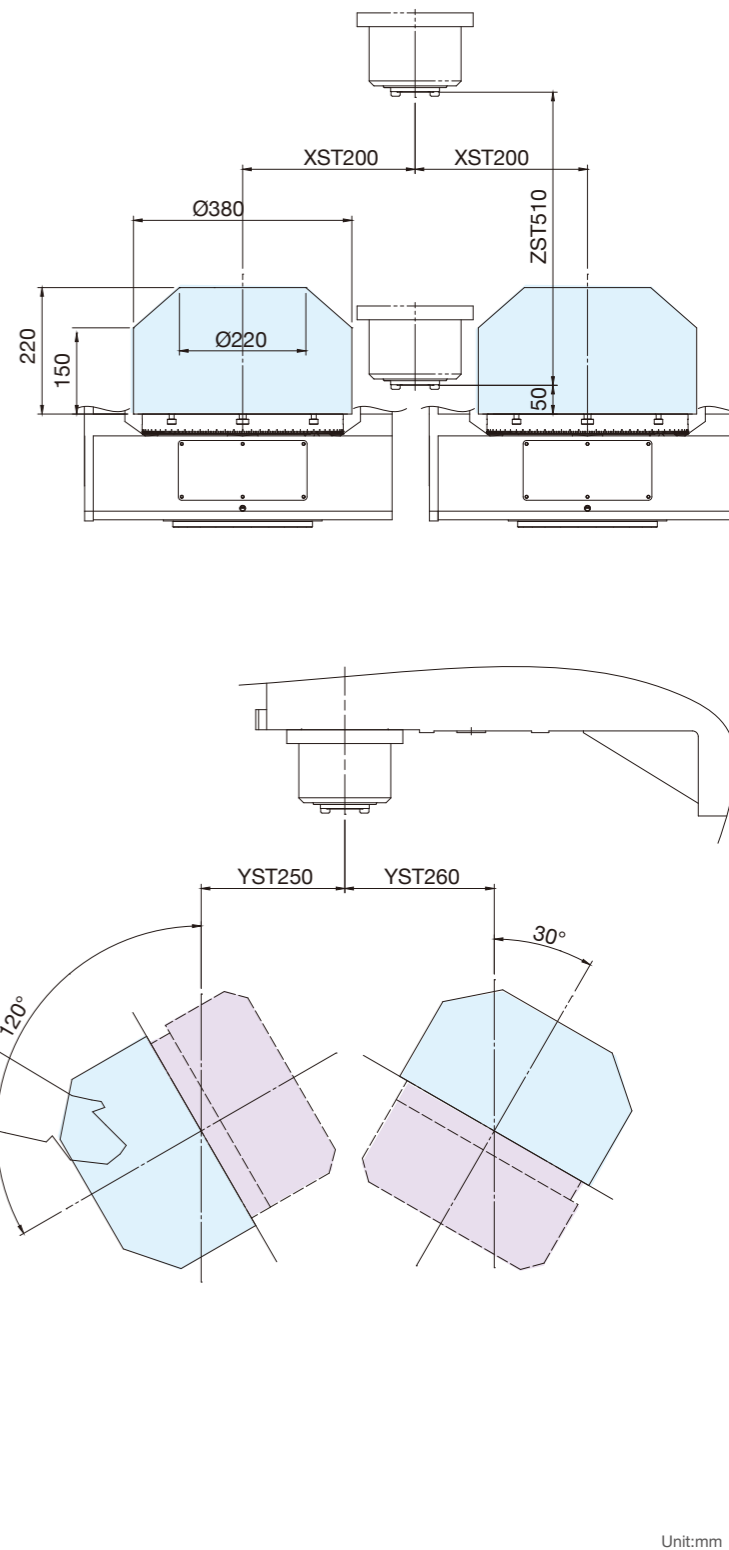


Working area

Table



Working area



Operation

Easy daily maintenance

Through centralized management of air FIRC unit and lubricant pump, daily maintenance is done easily.



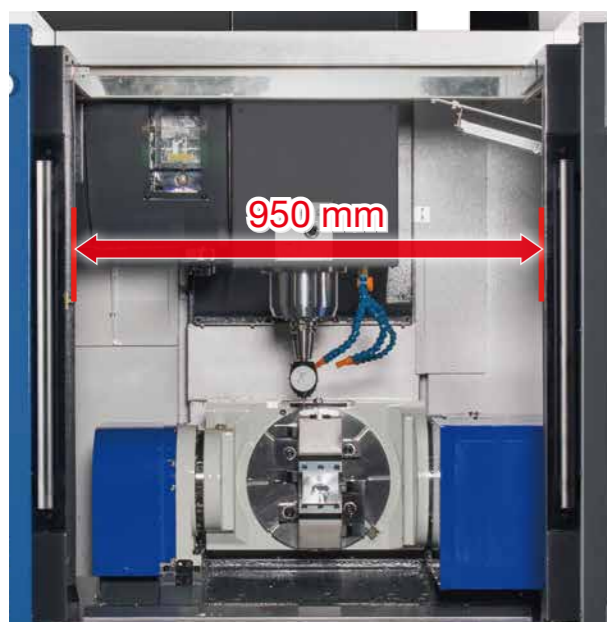
Swivel-type operation panel

The operation panel is able to swivel up to 90 degrees, which improves visibility during operation.

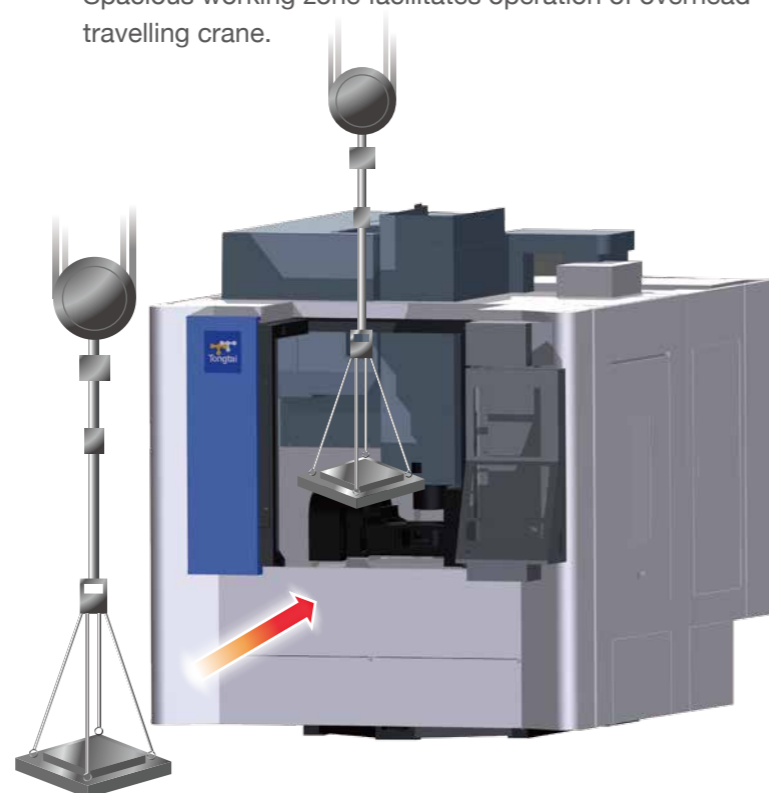


Door opening width

The wide door opening makes machine operation and loading/unloading more convenient.



Spacious working zone facilitates operation of overhead travelling crane.



Machine dimensions

ATC

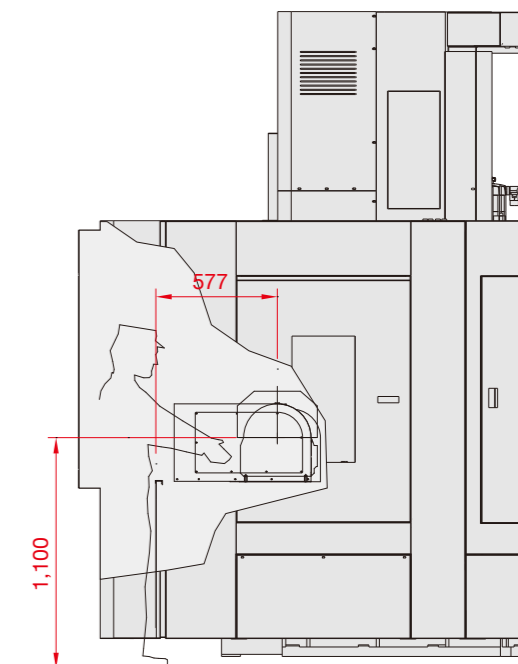
The roller gear cam type tool changer has higher accuracy and lower noise. In addition, the stable tool clamping can ensure spindle accuracy and expand bearing life.

- Tool capacity 24 tools
- 30 tools (Opt.)
- 40 tools (Opt.)



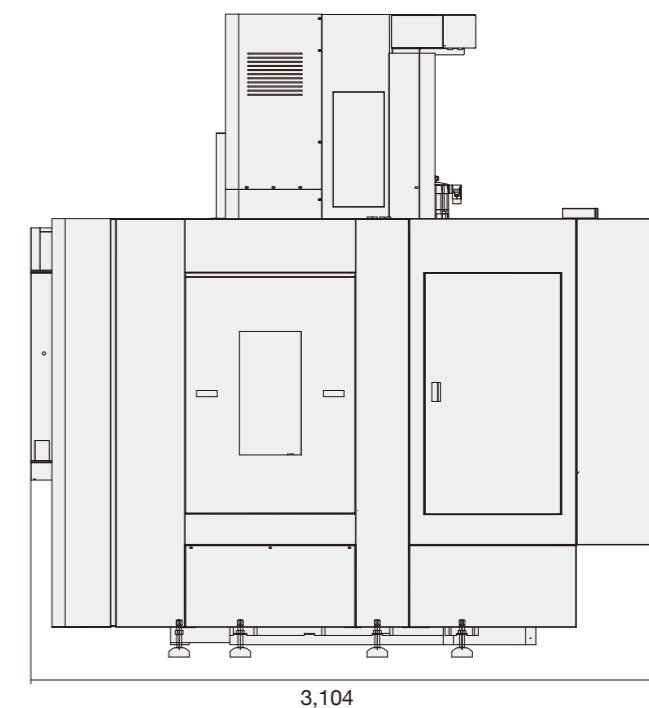
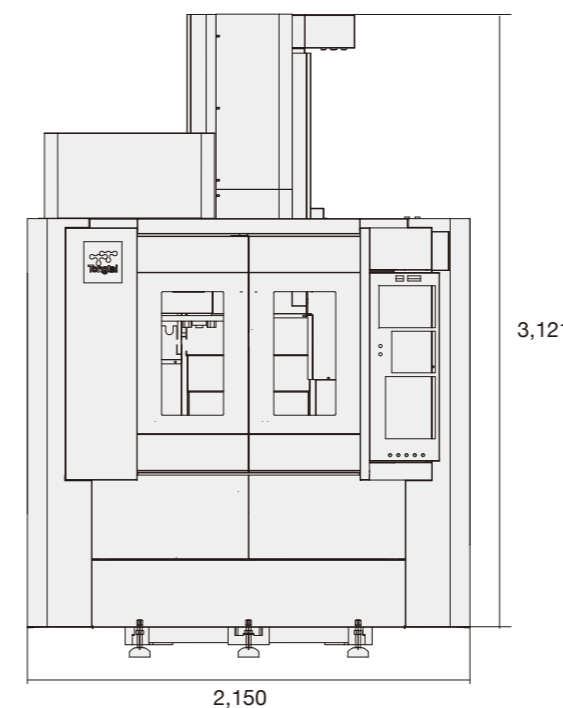
Accessibility

Suitable table height and reasonable distance between table and operator provide an excellent machining experience during operation.



Machine dimensions

Unit: mm



Standard/optional accessories

		Standard	Optional
Spindle	Direct-drive type 15,000 rpm	●	
	Built-in type 20,000 rpm		○
Table	Roller gear type A axis	●	
	Roller gear type C axis	●	
Tool Shank	BBT-40	●	
	HSK-A63		○
Tool capacity	24 tools	●	
	30 tools		○
	40 tools		○
Coolant through spindle pump	20 bar		○
	50 bar		○
	70 bar		○
Cooling system	Spindle coolant system	●	
	Air conditioner for electrical cabinet		○
Chip conveyor	Scraper type conveyor		○
	Hinge type conveyor		○
Lubrication system	General lubrication system	●	
	LHL integrated lubrication system		○
Positioning accuracy system	Three axes linear scale 5μm resolution		○
	Three axes linear scale 3μm resolution		○
	A axis linear scale (±3 sec)		○
	C axis linear scale (±3 sec)		○
Automatic tool length detector	Marposs Mida Laser 75P tool breakage detector		○
	Renishaw TS-27R		○
	Blum P87.0634-014-NT-A3		○
Others	Workpiece measuring device		○
	Machining air blow	●	
	Air gun	●	
	Coolant gun		○
	Oil skimmer		○
	Oil mist collector		○
	(MQL) Minimal Quantity Lubrication System		○
Controller	FANUC 0i-MF	●	
	FANUC 31i-MB		○
	SIEMENS 840D		○
	HEIDENHAIN TNC640		○

Specifications

Item	Specification	Unit	CT-350
Table	Table size	mm	Ø350
	Max. loading capacity	kg	200
	Table height from floor	mm	1,100
	Max. workpiece dimension (diameter×height)	mm	Ø380×220
	A/C axis min. indexing increment	deg	0.001°
Spindle	Spindle taper		7/24 Tpaer No.40
	Spindle speed	rpm	15,000 (20,000)
Travel	X/Y/Z axis travel	mm	400/510/510
	Distance from table surface to spindle gage line	mm	50~560
	A axis travel	deg	+30°~-120°
	C axis travel	deg	±360°
Feed	X/Y/Z axis rapid traverse	m/min	36/36/30
	A/C axis rapid traverse	rpm	33.3/40
	Cutting feedrate	mm/min	1-20,000
ATC	Tool shank	m/min	BBT-40 (HSK-A63)
	Tool capacity	pc	24 (30) (40)
	Max. tool diameter	mm	Ø76
	Max. tool diameter (w/o adjacent tool)	mm	Ø125
	Max. tool length	mm	300
	Max. tool weight	kg	7
Motor	Spindle motor	kw	15/11/7.5 (40/30)
	X/Y/Z axis servo motor	kw	2.7/2.7/4 [3.3/3.3/4.87] [2.6/2.6/4.1]
Machine size	Width×depth×height	mm	2,150×3,104×3,121
	Weight	kg	7,000
Controller			Fanuc 0i-MF [Siemens 840D] [Heidenhain TNC640]