

Driven & Static Tool Holder

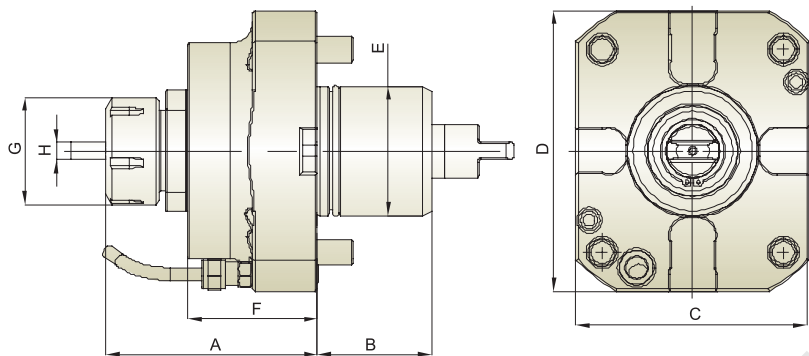


Axial Tool Holder (External Coolant)

MORI SEIKI

- ER Collet is according to DIN 6499.

R.P.M. : Max. 6,000 RPM



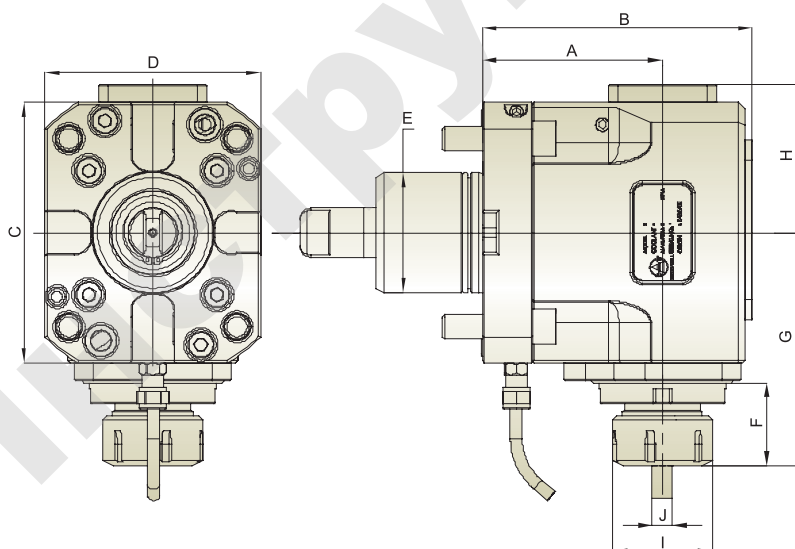
Unit : mm

Model No.	A	B	C	D	E	F	G	H	N.W.(KG)	Suitable Machine
THG-A05-60A	98	53	108	130	60	60	50	ER32 (3~20)	6.2	NL 1500/2000/2500/3000

Radial Tool Holder (External Coolant)

Gear Ratio : 1 : 1

R.P.M. : Max. 4,000 RPM



Unit : mm

Model No.	A	B	C	D	E	F	G	H	I	J	N.W.(KG)	Suitable Machine
THG-B05.90-60A	90	135	130	108	60	41.5	116.5	74	50	ER32 (3~20)	6.2	NL 1500/2000/2500/3000

※ Further option : 6000 RPM