

Driven & Static Tool Holder

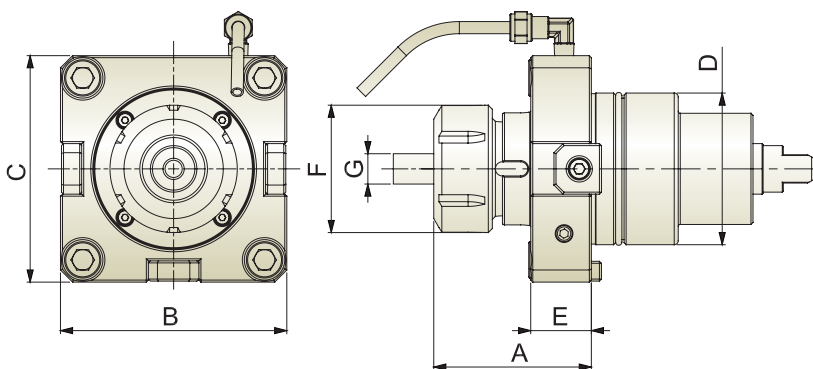


Axial Tool Holder (External Coolant)

BMT-1809 (DAEWOO)

- Driven Coupling is according to DIN 1809.
- ER Collet is according to DIN 6499.

R.P.M. : Max. 6,000 RPM



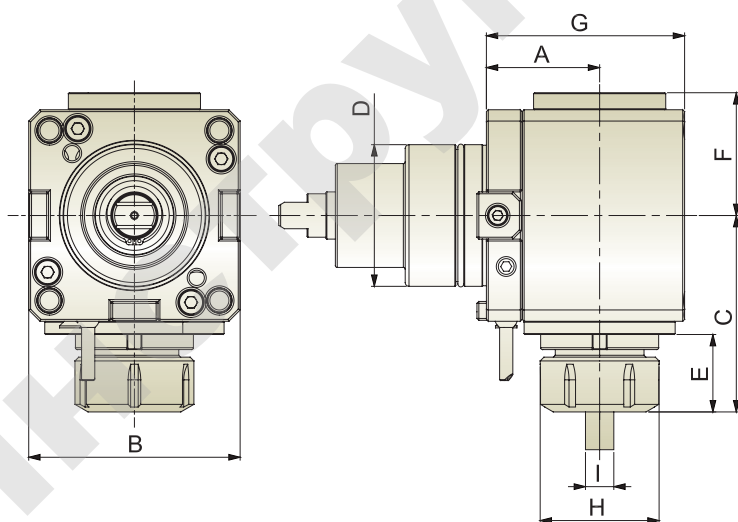
Unit : mm

Model No.	A	B	C	D	E	F	G	N.W.(KG)	Suitable Machine
THM-A04-55A	61	85	85	55	29	42	ER25 (2~16)	3.3	PUMA230,240,280 M-MS PUMA1500Y,2000Y,2500Y
THM-A05-65A	63.5	94	94	65	30	50	ER32 (3~20)	4.2	PUMA 300M 300MS
THM-A06-75A	78	112	112	75	30	63	ER40 (4~26)	5.2	PUMA 400M

Radial Tool Holder (External Coolant)

Gear Ratio : 1 : 1

R.P.M. : Max.4,000 RPM



Unit : mm

Model No.	A	B	C	D	E	F	G	H	I	N.W.(KG)	Suitable Machine
THM-B04.60-55A	60	85	77.5	55	26.5	53.5	86	42	ER25 (2~16)	7.5	PUMA230,240,280 M-MS PUMA1500Y,2000Y,2500Y
THM-B05.72-65A	72	94	95	65	34	60	108	50	ER32 (3~20)	9.8	PUMA 300M 300MS
THM-B06.60-75A	60	112	104	75	41	65	105	63	ER40 (4~26)	11.6	PUMA 400M